

Samsung LCD Monitor SyncMaster 244T

Stylish Design
- Narrow and Slim bezel design



Features

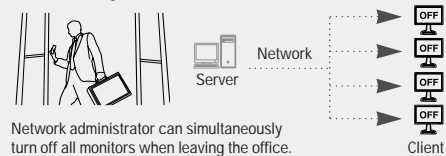
24" High Resolution for Professionals

- Resolution 1920 x 1200
- 1920 x 1200 resolution supported, ideal for designers working with A3 size paper.



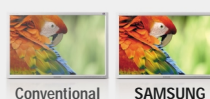
MagicTune™

- Easy control with mouse (All Display settings can be adjusted with mouse.)
- Color calibration for accurate color images
- Asset Management

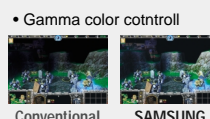
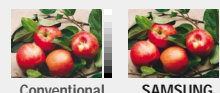


MagicColor

- Reproduces rich & vivid picture with color enhancement chip

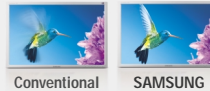


10 bit



MagicSpeed

- Fast response time removes after image



MagicRotation

- Image correction during 90° rotation (with Auto Pivot)



Height Adjustable Stand (HAS)

- Height adjustable up to 60 mm (for Europe) or 100 mm (for other areas)



Functional Performance

- Breakthrough in Power Saving: In power off mode, less than 0W is consumed. (Mechanical Switch)
- PIP (Picture in Picture) & PBP (Picture by Picture)
- Video Input Support: S-video, CVBS, Component



Multi Display

- Slim bezel presents a professional space-saving appearance. Monitor with thin bezel width can be placed together creating a multi display unit.



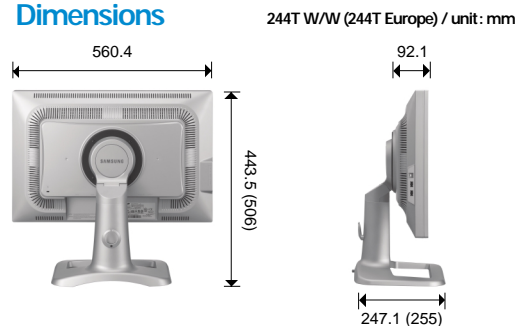
Specifications

| Class | SyncMaster 244T(W/W) | SyncMaster 244T(Europe) | |
|------------------------|---|---|-------------------------|
| Panel | Viewable Area | 24" | |
| | Pixel Pitch | 0.270 x 0.270 mm | |
| | Brightness (typ.) | 500 cd/m ² | |
| | Contrast Ratio (typ.) | 1000 : 1 | |
| | Viewing Angle (H/V) | 178° / 178° | |
| | Response Time (typ.) | 16ms (6ms G to G) | |
| Frequency | Horizontal Frequency | 30-81 kHz | |
| | Vertical Frequency | 56-75 Hz | |
| Maximum Resolution | 1920x1200@60Hz (Analog/Digital) | | |
| Color Supported | 16.7 M | | |
| Signal Input | Input Video Signal | Analog RGB, DVI Digital Link : TMDS, CVBS, S-Video, Component | |
| | Sync. Type | Separate H/V, Composite H/V, SOG | |
| | Input Connectors | 15 pin D-Sub, DVI-D, CVBS, S-Video, Component | |
| Plug & Play | DDC 2B | | |
| Mac Compatibility | O | | |
| USB Powered Hub Option | USB (1up, 2 down) | | |
| Power | On Mode | 100 W | |
| | DPMS Mode | 2 W | |
| | Type | Built-in | |
| Wall-Mount | VESA 100mm | | |
| TCO | TCO'03 (Silver) / TCO'99 (Black) | | |
| Cabinet Color | Silver/Black | | |
| Dimension | Set(W*H*D)(with stand) | 560.4 x 443.5 x 247.1 mm | 560.4 x 506 x 255 mm |
| | Set(W*H*D)(w/o stand) | 560.4 x 336.0 x 92.1 mm | 560.4 x 336.0 x 92.1 mm |
| | Packing(W*H*D) | 469 x 725 x 302 mm | 469 x 688 x 302 mm |
| Weight | Set | 9.45 kg | 9.55kg |
| | Packing | 12.2 kg | 12.4 Kg |
| Special Features | PC: Analog, Digital, Video: CVBS, S-Video, MagicColor, Magic Bright, MagicTune, MagicRotation (Auto Pivot), PIP/PBP (with Video), Power built-in, Narrow Bezel, Mechanical Switch | | |
| Stand | Type | HAS (100mm) | HAS (60mm) |
| | Function | Height Adjustable, Pivot, Swivel, Tilt | |

LCDM0510LE2HQ-WW



Dimensions



Design and specifications are subject to change without notice.

www.samsung-monitor.com

Distributed by:



When You Use SyncMaster, You Become the Best.

Professional monitors should be distinctive. The excitement of a huge screen, vivid color expression, and stylish design complete your professionalism with SyncMaster 244T. SyncMaster gives your masterpiece the final touch.

SyncMaster 244T
Samsung LCD Monitor