

SMS FLATSCREEN TM ST400 BOOM



Standing comfort.

We are now bringing out our handy table stand for medium and small screens. It has a smart boomerang base which means you can put your medium sized screen anywhere there is room. You can also make your stand more attractive by using our smart Acrylic foot which you can easily fasten to the base.

- | | | | |
|---|---|--|--------------------------------|
| <input type="radio"/> Ceiling | <input type="radio"/> Heavy weight | <input type="radio"/> Fixed | <input type="radio"/> Variable |
| <input type="radio"/> Wall | <input checked="" type="radio"/> Middle weight | <input checked="" type="radio"/> Swivel | <input type="radio"/> UniSlide |
| <input type="radio"/> Floor | <input type="radio"/> Light weight | <input checked="" type="radio"/> Tilt | <input type="radio"/> Hidden |
| <input checked="" type="radio"/> Table | | <input type="radio"/> 3D | <input type="radio"/> Double |
| | | <input type="radio"/> Mobile | |

SMS FLATSCREEN TM ST400 BOOM

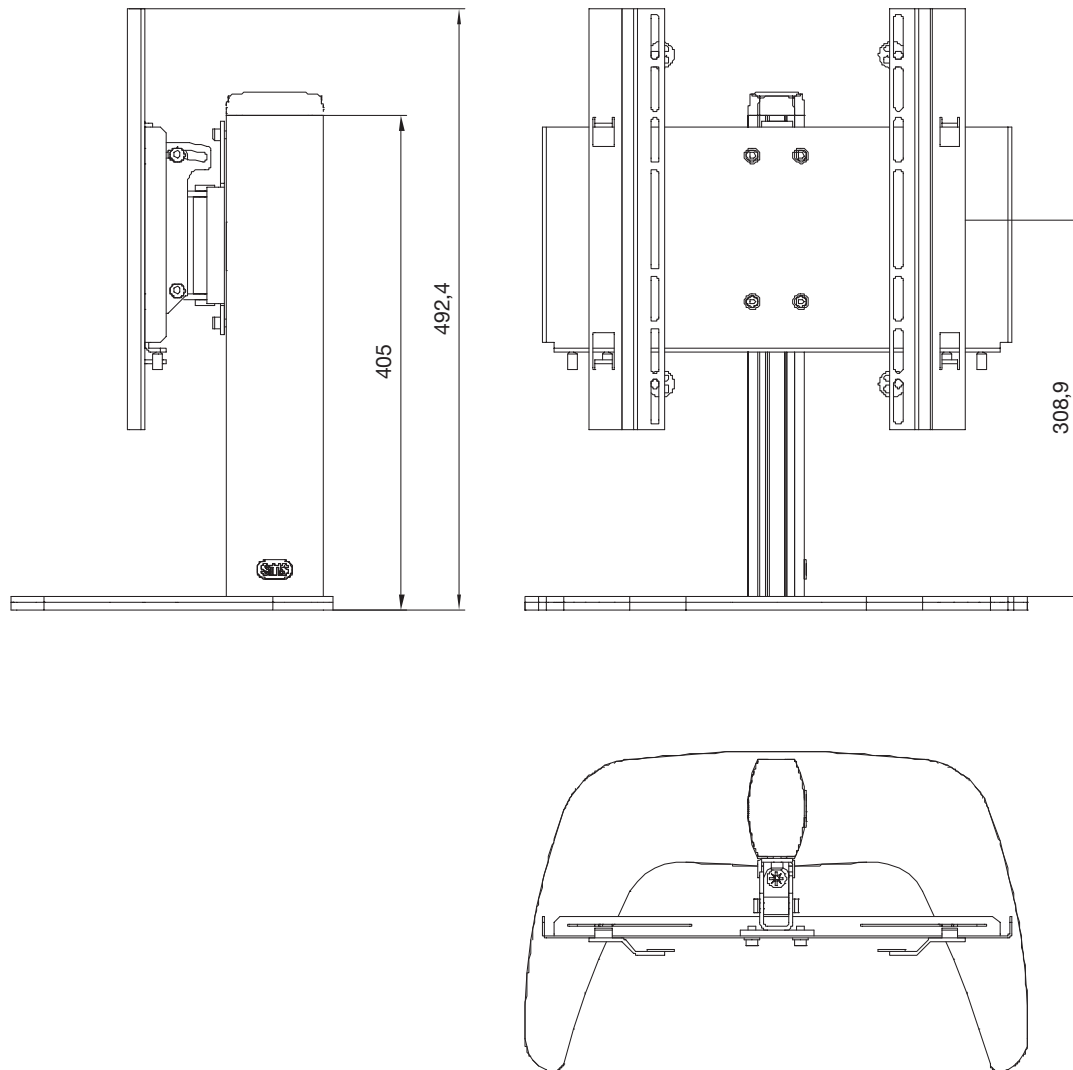
INFO

- Color: Aluminium/black.
- Max weight: 30 kg
- Length (pillar): 400 mm
- Tilt and Swivel: the screen can be tilted +12°/-3° and swiveled +/- 80° (depending on the size of the screen).

ART. NO
FS081001

DESCRIPTION
SMS Flatscreen TM ST400 Boom

Universal slide – SMS Flatscreen M Unislide – is included.
(See page 1:U2 for more info). Vesa standard: 75x75/100x100/
100x200/200x200/400x200 mm and screens with max hole pattern:
420x330 mm



SMART MEDIA SOLUTIONS

www.SmartMediaSolutions.se