

# CD-610



## CD PLAYER



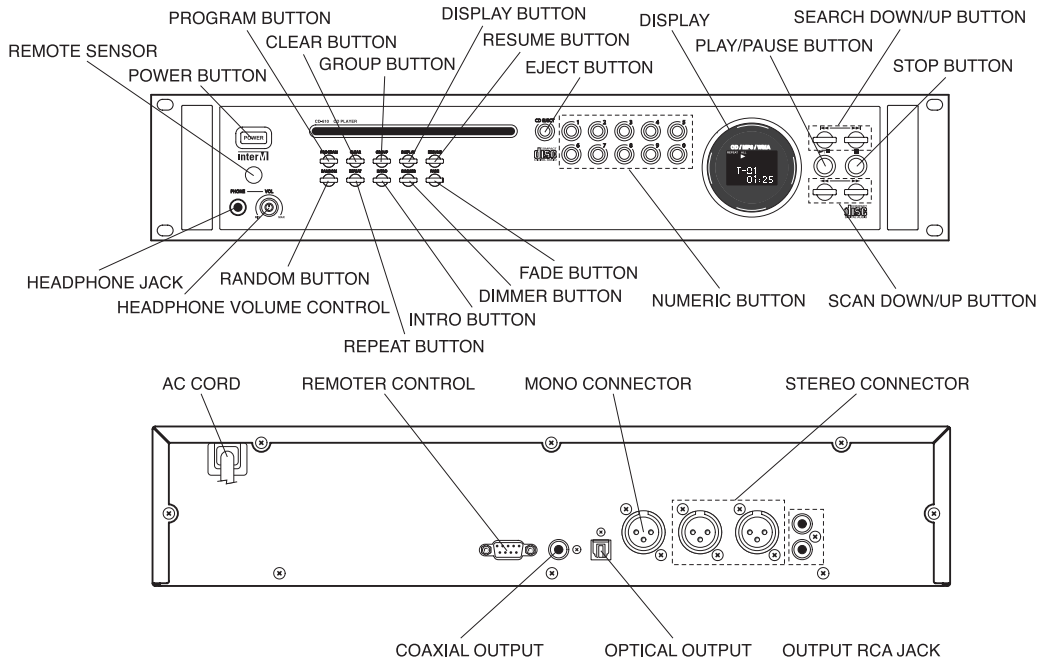
### FEATURES

- 1CD PLAYER(MP3/WMA) SLOT-IN TYPE Reliable Mechanism
- DOT MATRIX design VFD Display
- CD/CD-R/CD-RW/MP-3/WMA File Readable
- XLR(MONO/STEREO) & RCA Analog output
- Coaxial & Optical Digital Output
- AMX, CRESTRON Interface(RS-232C)
- IR Remote Control

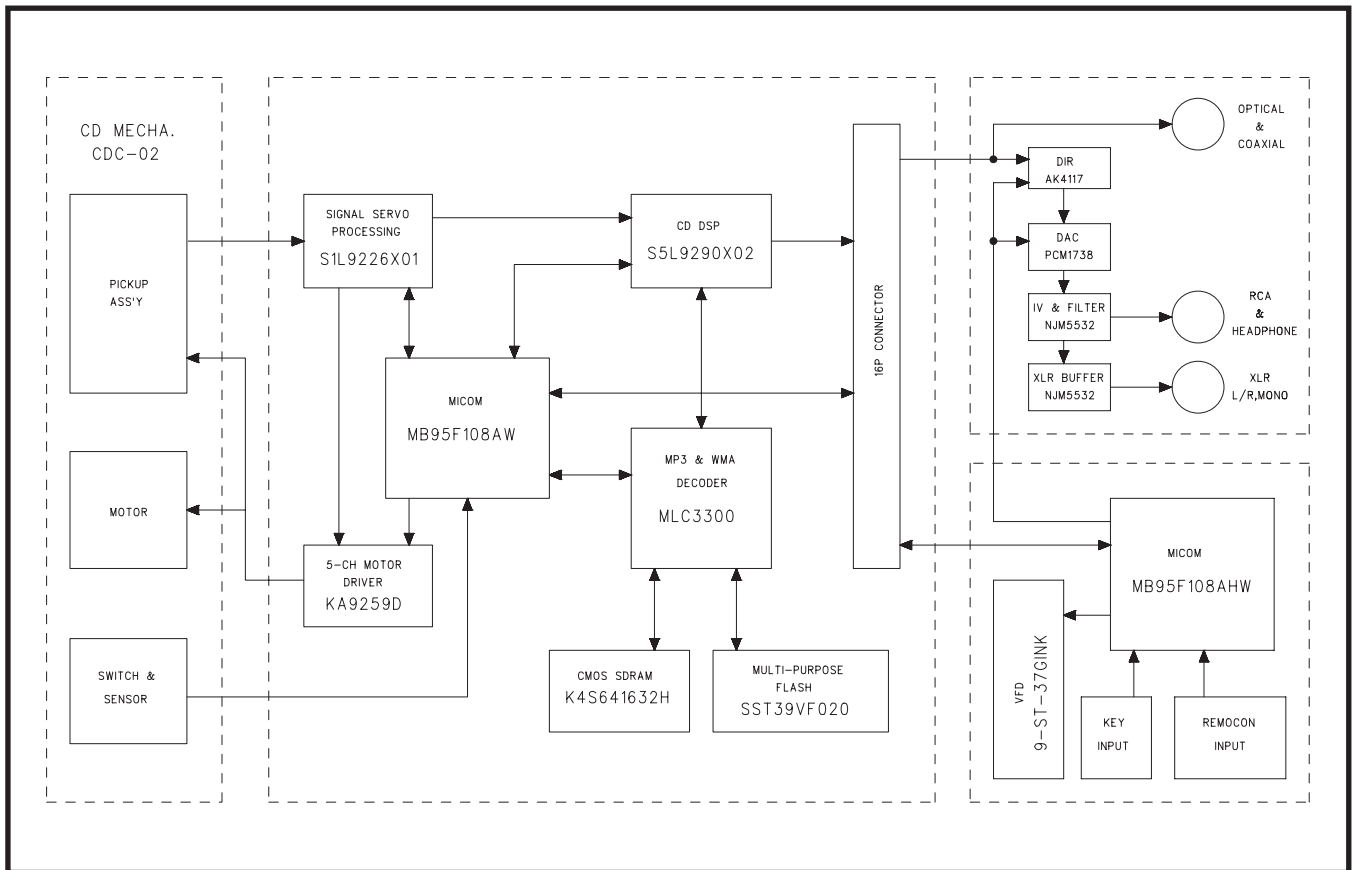
### SPECIFICATIONS

- ELECTRICAL \*0dB=0.775Vrms
  - Audio Channel.....2 Channels
  - Frequency Response .....20Hz~20kHz,  $\pm 0.5$ dB
  - Distortion .....0.02%
  - S/N .....100dB
  - Analog Output Level .....2Vrms
  - Headphone Output Level .....1.5V at max(load impedance 32 $\Omega$ )
  - Quantization .....24-bit
  - Sampling Frequency .....44.1kHz
- GENERAL
  - Power Source.....100~120VAC or 220~240VAC; 50/60Hz (supplied AC mains transformer depends on local requirements)
  - Power Consumption .....18W(Standby:Less than 1W)
  - Weight.....5.8kg/12.8lb
  - Dimensions .....482(W)x88(H)x380(D)mm  
19(W)x3.5(H)x14.9(D)in

# CD-610



## BLOCK DIAGRAM



**interM**

OFFICE : 653-5 BANGHAK-DONG, DOBONG-KU, SEOUL, KOREA TEL : 82-2-2289-8140-8, FAX : 82-2-2289-8149  
 Home page : <http://www.inter-m.com> E-mail : [export@inter-m.com](mailto:export@inter-m.com)

9027104000