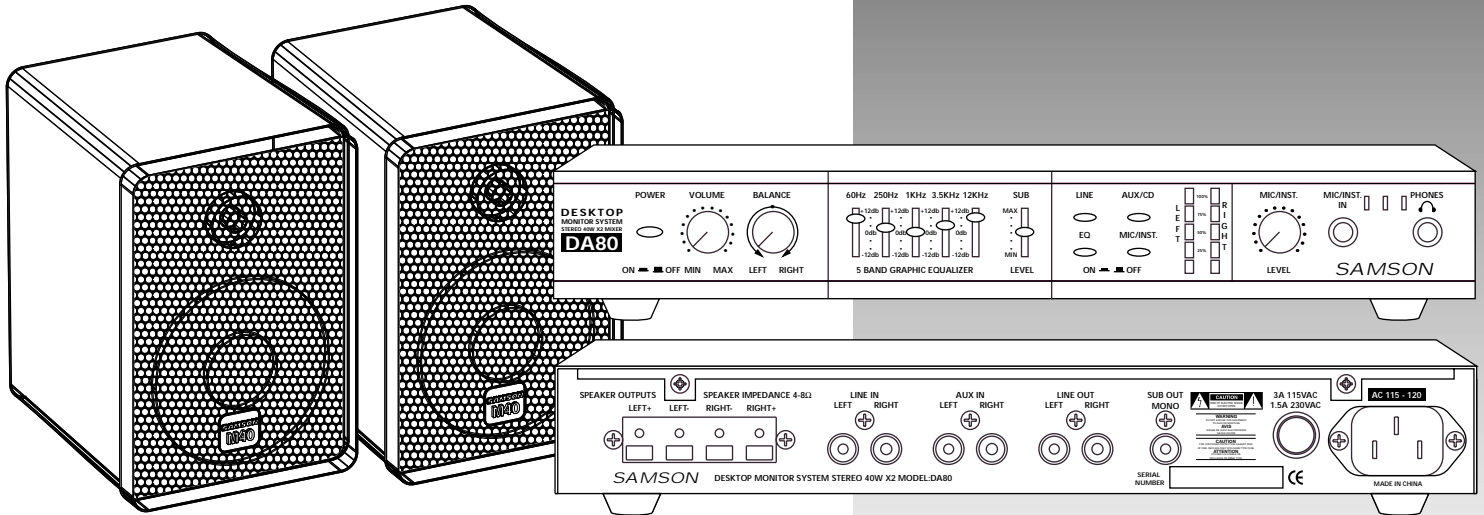


DMS80

Desktop Monitor System

SAMSON AUDIO
PRELIMINARY LITERATURE



- Compact Desktop Audio System For Recording, Multimedia And More
- Integrated Amplifier Produces 40 Watts Per Channel @ 8 Ohms
- 2-Way Full Range Speakers (5 1/4" Woofer, Dome Tweeter)
- 5-Band Graphic EQ
- 1/4" Mic Input On Front Panel And Output On Rear Panel
- Sub Woofer Line Out With Level Control

The DMS 80 is a comprehensive desktop audio system designed for multitrack recording, home stereo and computer music and multimedia. The system consists of an efficient and powerful stereo amp (DS80) that produces 40 watts RMS per channel into 8 ohms (1% THD). Dedicated

to superlative sound in a small package, the DS40 amp features a 5-band graphic EQ (12dB boost or cut) ranging from 20Hz to 20kHz for extensive sound-shaping. The system amplifier includes an array of useful features like a variable dedicated subwoofer line output with level control for enhanced bass. A 5-segment LED stereo audio level meter facilitates accurate monitoring of the signal. Auxiliary input switching and input jacks allow use with external sound sources. A EQ Defeat switch allows the user to achieve instantaneous flat frequency response. Extremely compact (40mm high x 325mm wide x 257mm deep), the DMS 80 also features external mic mixing with variable blend control; a built-in AC power supply with special noise filters; separate AC power LED On, Volume, and detented Balance controls and a 1/4" mic input (front panel) and output (rear panel). Completing this unique and versatile system are the 2-way full range M40 speakers with a dome tweeter and 5 1/4" woofer that deliver exceptional audio quality for the size.

SAMSON

Samson Technologies Corp. • P.O. Box 9031, 575 Underhill Blvd., Syosset, New York 11791-9031
Tel: 1-516-364-2244 • Fax: 1-516-364-3888 • www.samsontech.com